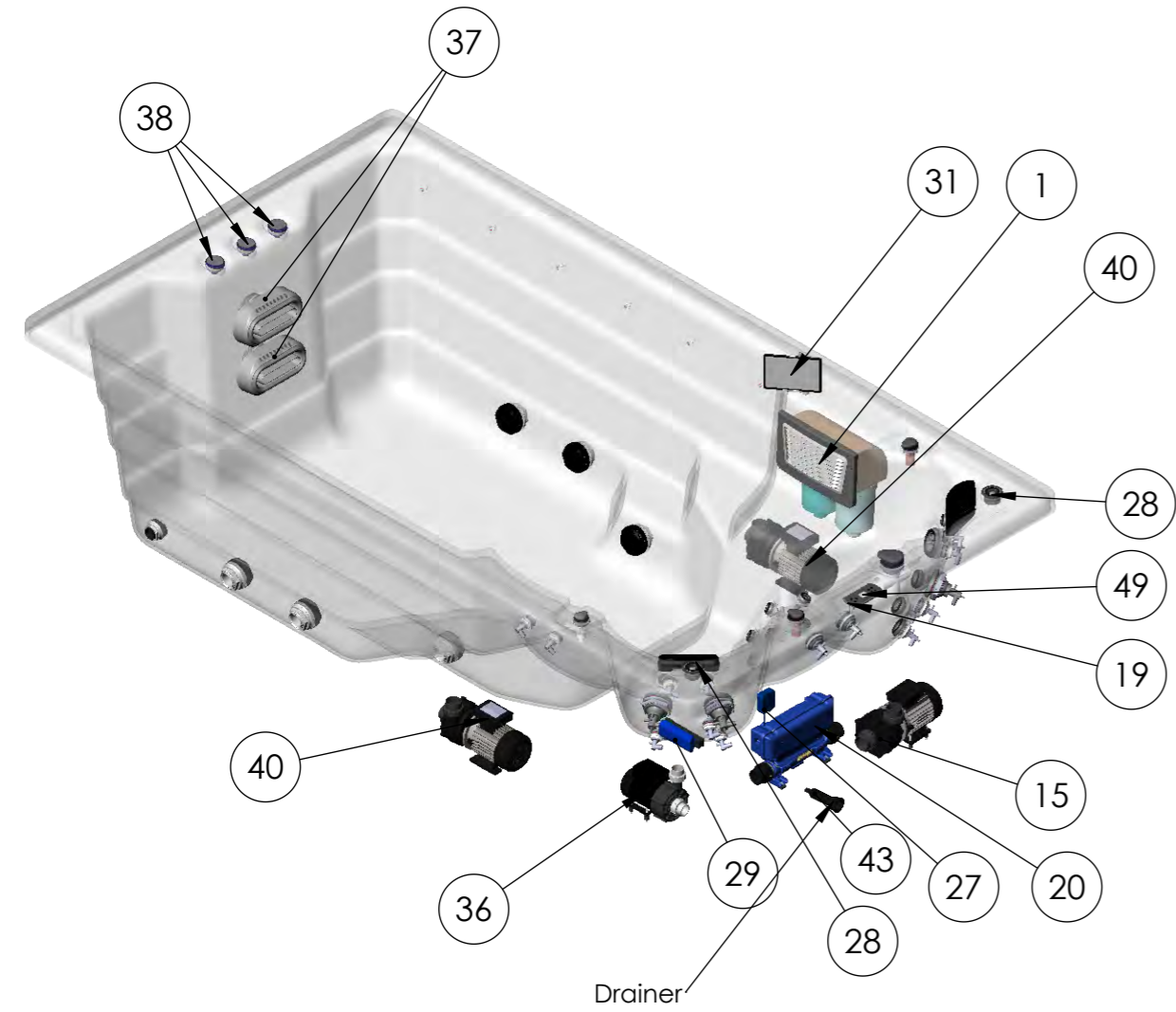


Item	Item number	IFS description EN	pcs
40	ACM0394	Motor 50Hz hidro 2200W (WP300-II)	2
	ACM0394	Spa Pump 3/0.6 HP - Two Speed	1
41	AKU2647	Led housing with seal	6
42	AKU2219	Nut for ledhouse	6
43	AKU0084	Water Drain - 20 RB V2	1

Item	Item number	IFS description EN	pcs
1	AKU3495	Filter housing side wall 2s black	1
2	AKU3490	On-Off tap house 33 transparent V2 color:black	1
3	AKU3488	Enrichment housing 33 transparent black	2
4	AKU1891	Water Diverter 60 - LED lighted V2	1
5	AJ00324	Circulation jet Black 48 mm Life	1
6	AJ00284	Circulation jet washer self-aligning 48 Life	1
7	AJ00283	Circulation jet nut self-aligning 48 Life	1
8	AKU3500	Suction 2" UL Black	6
9	AJ00280	Self adjusting nut for suction head Life	6
10	AJ00281	Sealing for self adjusting suction head nut Life	6
11	ASE0126	Rubber bush M8x15/M8x30	8
12	ASE0007-K	Nut M8	12
13	ASE0006-K	Woodscrew - 4 x 70	12
14	ASE0005-K	Washer M6 wood connection	8
15	ACM0080	Spa Pump 3 HP - One Speed	1
16	AJ00319	Jet insert 2" black straight	23
17	AJ00320	Jet insert 3" black straight	4
18	AJ00322	Jet insert 5" black straight	4
19	ACM0959	Control Panel - IN.K500 GECKO	1 just Deluxe
20	ACM1052	Control box In.YE-5	1
24	AKU3493	Water Diverter - Grip BLACK	1
25	AKU3489	Air Regulator - Grip BLACK	2
26	AKU3491	On-Off tap grip natural BLACK	1
27	ACM1092	UL ozone	1
28	ACM0874	Speaker 3" (2 way)	2 just Cinema
29	ACM0929	Audio amplifier bluetooth with transformer 6,3 A, 24 V V2	1 just Cinema
30	AF00085	Pillow 258x138 black	2
31	AKU3618	Tablet holder for pool	1 just Cinema
48	AJ00291	Jet ozone with sealing V2	1
49	ACM0912	Control Panel - IN.K1000 V2	1 just Cinema
36	ACM1366	Circulation pump WTC25M 750 W 1 Hp	1
37	AJ00347	Jet swim ovál W Riverjet	2
38	AKU2439	Cup Holder Light - lens 2020	3
39	AKU2438	Cup Holder Light nut	3



You must install a 30mA Residual-current device (RCD)

Product family: **WIBE CINEMA SPA**

Sheet name: <b>Elba_swim EN</b>		Projection	
File name: <b>FJ_WU00049_ELBA_Riverjet EU</b>			
flow rate liter/min:	Dimension SPA: <b>2200x3962x1200 mm</b>	Min. El. nds: 230 V/32 A Opt. El. nds: <b>400 V - 3x16 A - 50Hz</b>	
1 person ~75 kg	Weight of the SPA: <b>900 kg</b>	Control box: <b>GECKO YE-5 EU</b>	
Water disp.: <b>225 kg</b>	Rim height: <b>90 mm</b>	Approved by: <b>Bató Péter</b>	Pr. No: <b>WU00049</b>
Minimum water: <b>3500 liter</b>	Created: <b>2025. 10. 16.</b>	Drawer: <b>bato.peter - 2025. 10. 16. 8:53:49</b>	Number: <b>WU00049</b>
		<b>A3</b>	<b>M 1:50</b>

# INSTALLATION INSTRUCTIONS

**Installation, connection and electrical installation can be done only by professionals!**

The given dimensions are for information only, they may differ from reality due to the manufacturing technology of pools.

## ATTENTION!

**Pools can be installed only when electric shock protection compliance of the installed residual-current device is stated by the installation personnel in written form.**



### 1. General installation instructions

A **solid, level base (maximum 0.5% slope)** is essential for setting up the pool. Make sure the cover or base is properly supporting the pool.

For this, you need to know the maximum load capacity of the cover. Consult a qualified architectural professional or structural engineer. To determine the weight, contents and parts of the pool, refer to the data table of the pool. This weight should not exceed the calculated static capacity per square meter, otherwise it may cause serious damage to the pool and the substrate. **60 cm of space is required around the pool**

**provided for servicing**, if this cannot be done, in the event of servicing, advance notice must be given and access to the pool must be ensured! It is advisable to create a water confluence on the outlet side of the pool. Its purpose is to drain rainwater and splashing water from around the pool, and also to allow the water to flow away in case the pool is lowered at the bottom outlet.

#### a. Indoors/Basement

In case of placing the pool inside a building take into consideration the following requirements: The base must have a proper drain channel to prevent water collecting around the pool.

In case a new place is built for the pool, it is strongly recommended to install a floor drain to prevent damage due to water overflow or mechanical failure, etc.

If no floor drain is installed, our Company takes no responsibility for occurring damages.

Inside the room where the pool is installed, humidity can increase significantly. To prevent precipitating water and the occurrence of fungus, proper ventilation of the room is highly recommended.

It is also suggested to install a dehumidifier device in the room. Acryl absorbs heat from the sun rapidly, due to which the pool can suffer significant heat damage. In case the pool is installed between glass structures, please prevent the sunrays to reach the pool directly through the glass, otherwise temperatures can rise too high.

#### b. Outdoors/Closed terrace

**If the pool is installed outdoors, it is recommended to build a horizontal, reinforced concrete base with min. 10-15 cm thickness. Do not expose the empty pool direct sunlight without proper protection (thermal cover on top).** Please keep in mind that long term exposure to sunlight will damage the pool and its accessories.

#### c. Recessed installation

In case of recessed installation a **60 cm wide manhole must be built around the pool** for proper access and servicing.

Only the part of the pool that is **under the acrylic rim** can be recessed. In case these conditions are not met, installation of the pool may fail!

It is appropriate to make the drain channel in the base on the drain side of the pool. Its purpose is to take away splash water around the pool, or drain the released water.

It is also necessary to provide water drainage in the manhole.

The manhole should also ventilate properly. It is recommended to install an exhaust fan or other ventilation device.

If raising the pool from its recessed place is necessary, the customer is responsible for all related expenses.

### 2. Electrical installation

**You must install a circuit breaker dedicated only for the pool, no other devices allowed to connect. You must also install a 30mA residual-current device (RCD).**

Check your product type: WU00049 Elba swimspa with thermo cover

Check the minimal electric needs of your product: 230 V 32 A 50 Hz

Check the optimal electric needs of your product: 400 V 3x16 A 50 HZ

Based on the information above, choose the appropriate cable size for your product.

**For electric installation in case of cables not exceeding 10 meters in length, the appropriate cable cross section and length is given in the table on the right.**

**- For cable lengths exceeding 10 meters please consult a professional!**

**- In all cases, the electrical installation of the pool has to be done by an electrician.**

- In case the optimal energy needs of the pool are met: the Spa pump and heating can work simultaneously.

- In case only the minimal energy needs of the pool are met: the Spa pump and heating can not work simultaneously.

- Installing the cables is recommended through the bottom cover (tray) by drilling a hole and using a cable gland. Recommended direction is shown on the drawing.

Min. cable length for installation is 3 m.

- The exact way of electrical installation is always unique, highly dependant on the location and environment of the pool.

Additional electrical installation (cable, circuit breaker and residual-current device) is the customer's responsibility.

These parts are not included in the pool packaging, need to be purchased separately.

Every pool has a dedicated installation drawing.

Make sure that the pool is connected to a 30 mA residual-current device.

Use copper wiring only.

If a fuse fails, replace it only with same type of fuse with same technical parameters.

The device must be connected to the house's Equipotential Bonding Grid.

We inform you that the functioning of Spa pumps listed in the bill of materials on the first page may differ from reality. For example, if 'ACM0394 Spa Pump 3/0.6 HP - Two Speed' pump is listed as two speed, but in reality it only works with one speed, that might be because for the best massage experience a bigger influx of water is needed, thus the pump will work with its highest speed.

Kábel keresztmetszet/ Cable profile		
1x16A	3x2,5mm <sup>2</sup>	230 V
1x20A	3x4mm <sup>2</sup>	230 V
1x25A	3x4mm <sup>2</sup>	230 V
3x16A	5x4mm <sup>2</sup>	400 V

You must install a 30mA Residual-current device (RCD)

Product family: **WIBE CINEMA SPA**

Sheet name: **Info\_EN**

Projection

File name: **FJ\_WU00049\_ELBA\_Riverjet EU**

flow rate liter/min: Dimension SPA: **2200x3962x1200 mm** Min. El. nds: 230 V/32 A Opt. El. nds: **400 V - 3x16 A - 50Hz**

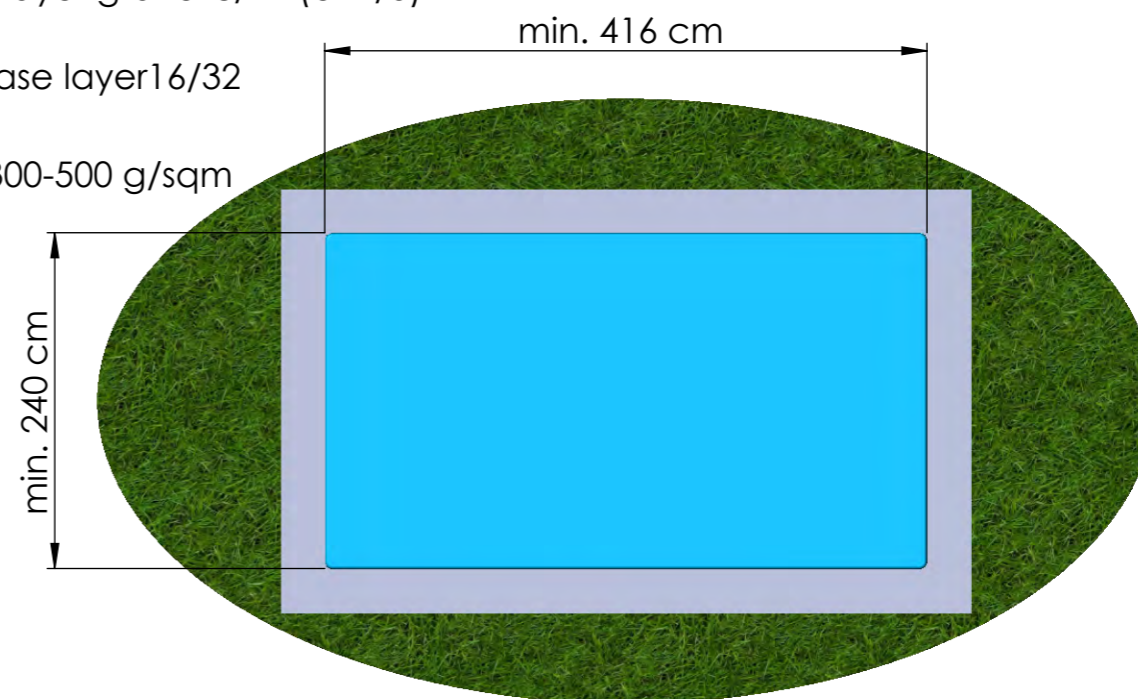
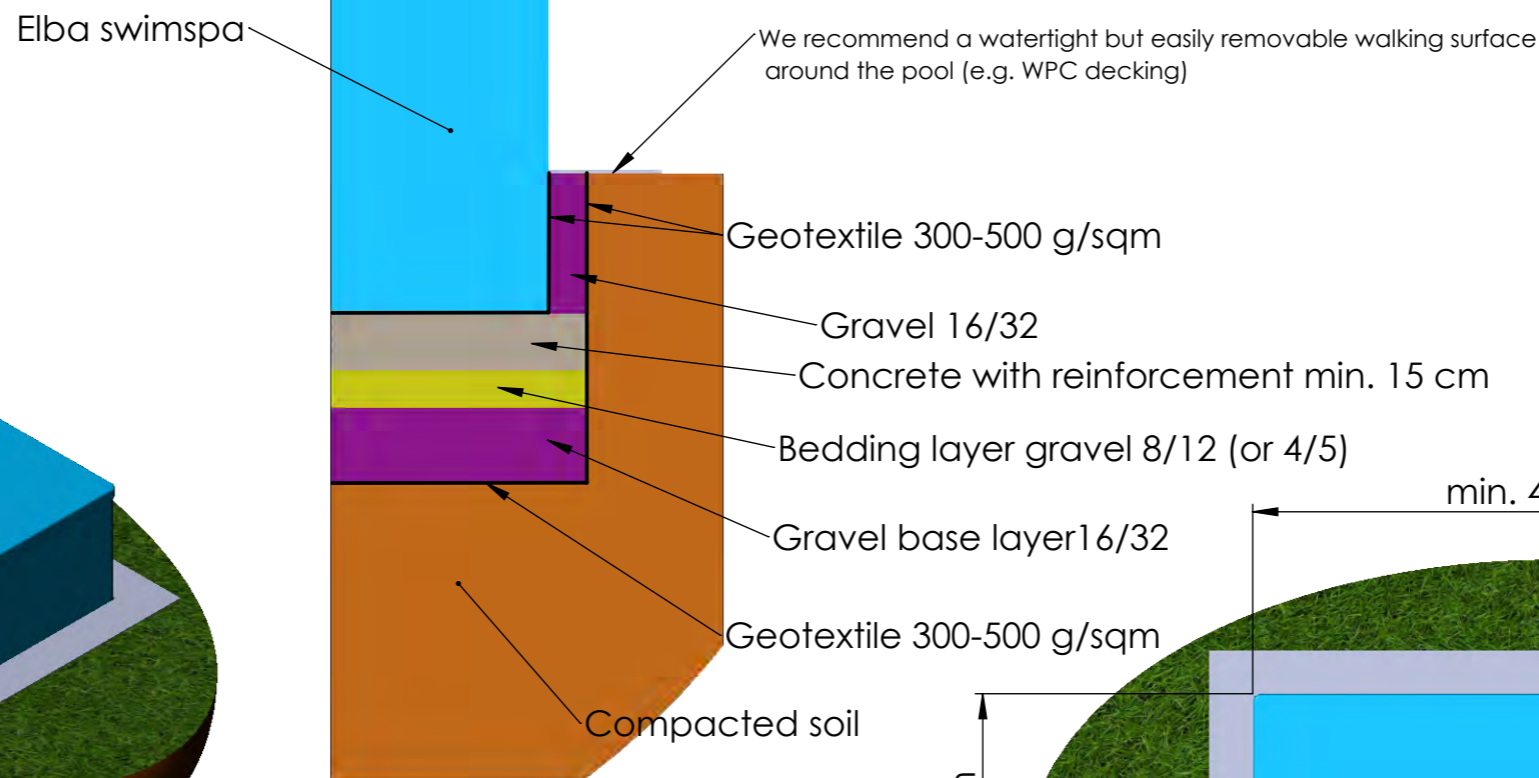
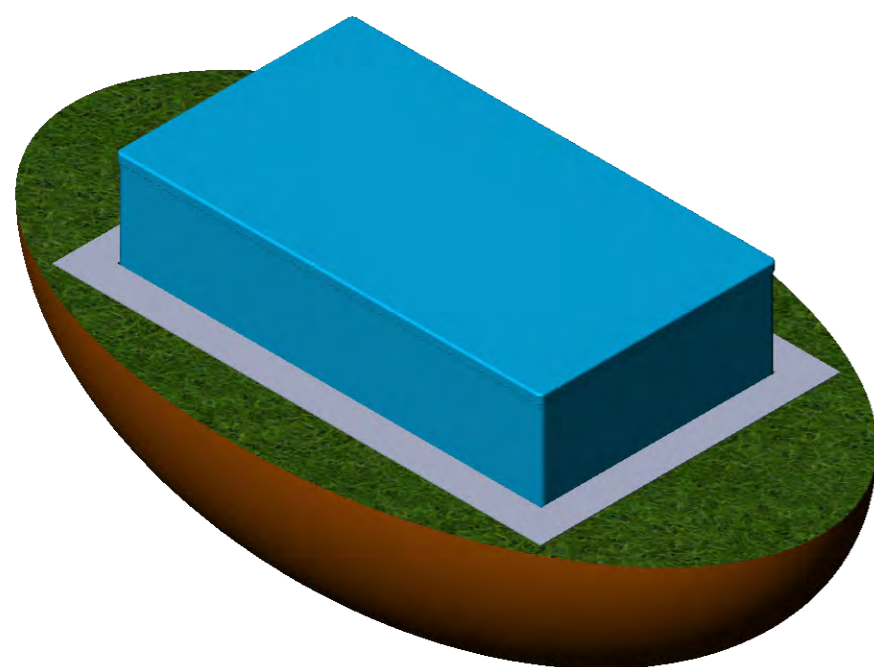
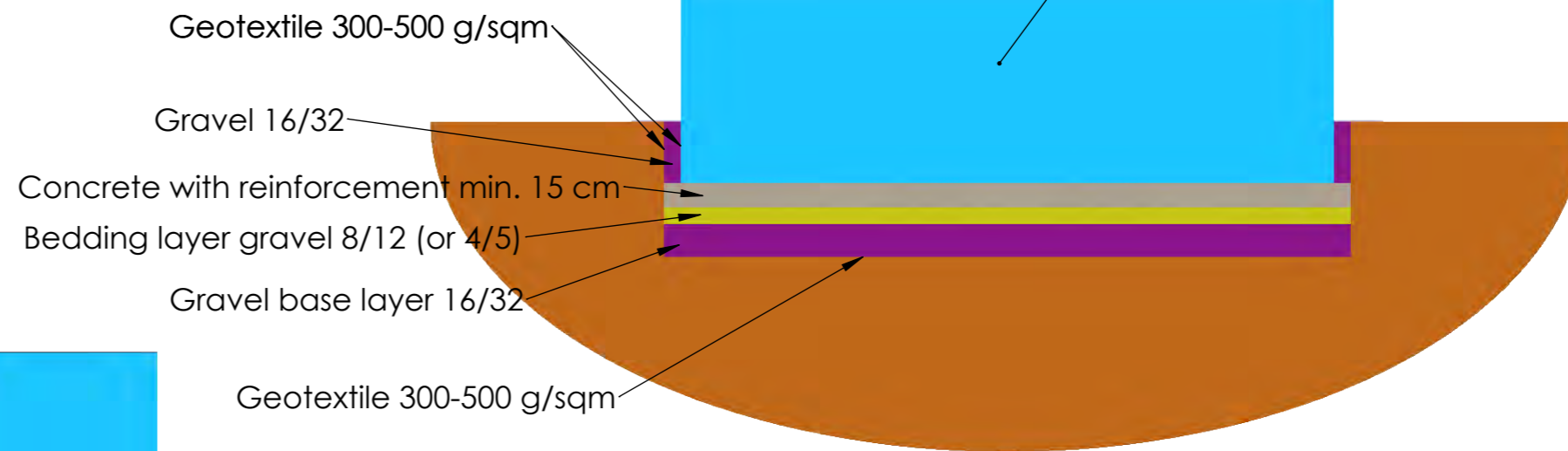
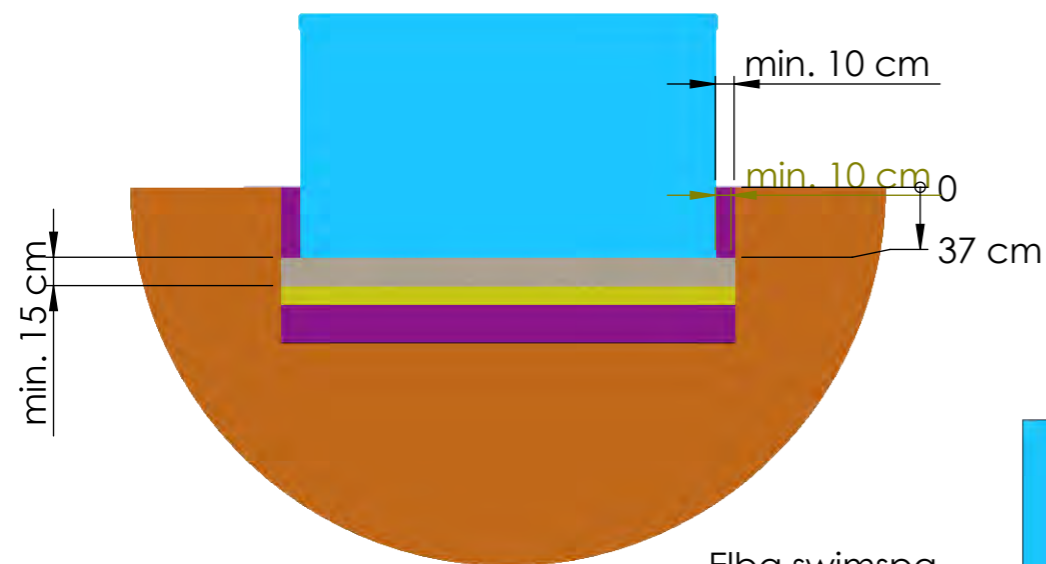
1 person ~75 kg Weight of the SPA: **900 kg** Control box: **GECKO YE-5 EU**

Water disp.: **225 kg** Rim height: **90 mm** Approved by: **Bató Péter** Pr. No: Fe. No: Number: **WU00049** **D**

Minimum water: **3500 liter** Created: **2025. 10. 16.** Drawer: **bato.peter - 2025. 10. 16. 8:53:49** **A3** **M 1:50** **page 6 / 8**



# Swimspa installation instructions for concrete foundation



To ensure safe and simple water drainage from the swimspa, it is recommended to install a fixed drain outlet near the drainer plug.

In case of poorly drained soil, care must be taken to drain excess water (e.g. by means of drainage)

**This drawing is a possible general recommendation. The swimspa requires a foundation that is suitable for the prevailing soil conditions. Please consult your contractor.**

You must install a 30mA Residual-current device (RCD)

Product family: **WIBE CINEMA SPA**

Sheet name: <b>Install_concrete</b>		Projection	
File name: <b>FJ_WU00049_ELBA_Riverjet EU</b>			
flow rate liter/min:	Dimension SPA: <b>2200x3962x1200 mm</b>	Min. El. nds: 230 V/32 A Opt. El. nds: <b>400 V - 3x16 A - 50Hz</b>	
1 person ~75 kg	Weight of the SPA: <b>900 kg</b>	Control box: <b>GECKO YE-5 EU</b>	
Water disp.: <b>225 kg</b>	Rim height: <b>90 mm</b>	Approved by: <b>Bató Péter</b>	Pr. No: Fe. No:
Minimum water: <b>3500 liter</b>	Created: <b>2025. 10. 16.</b>	Drawer: <b>bato.peter - 2025. 10. 16. 8:53:49</b>	Number: <b>WU00049</b>
		<b>A3</b>	<b>M 1:50</b>
		<b>page 8 / 8</b>	